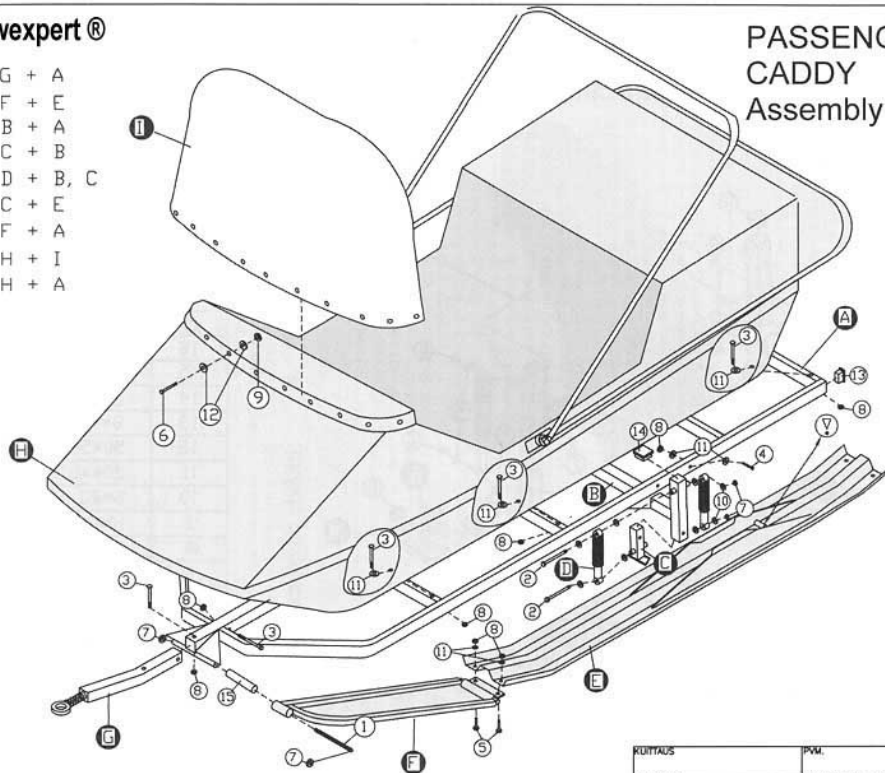


1. G + A
2. F + E
3. B + A
4. C + B
5. D + B, C
6. C + E
7. F + A
8. H + I
9. H + A



15	ø10/40	2
14	50*50	2
13	20*40	2
12	6*20	14
11	8*20	18
10	10*30	16
9	M6	7
8	MB	16
7	M10	6
6	M6*20	7
5	MB*25	4
4	MB*40	4
3	MB*55	8
2	M10*150	4
1	10*315	1
ITEM	DIMENSION	AMOUNT

KUITYLAUS	PPM.	
TITLE/NAME	DRAWING NO.	REV.
HENKILÖREKI	0241	C