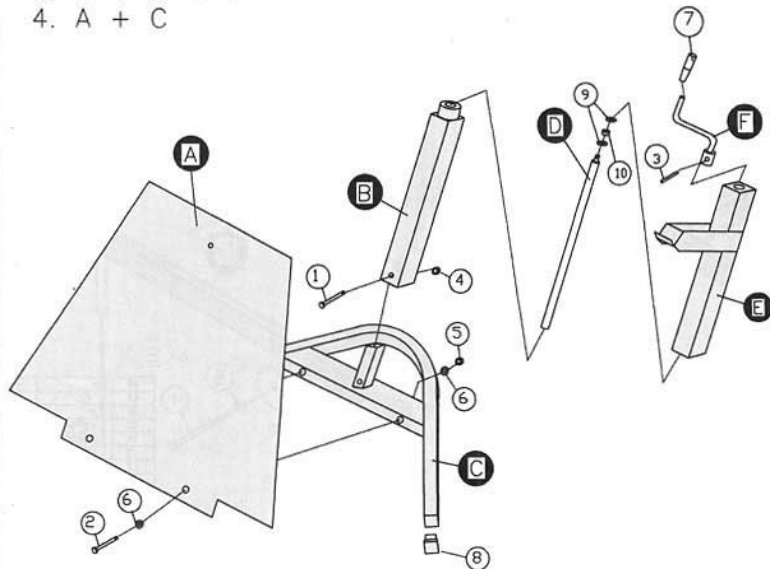


1. B + C
2. D + B
3. E + D + F
4. A + C

## ROLLING STAND Assembly instructions



10	DGL 100/11	1
9	10×20	2
8	25×25	2
7		1
6	6×18	4
5	M6	2
4	M8	1
3	6×18	1
2	M6×65	2
1	M8×45	1
ITEM	DIMENSION	AMOUNT
TITLE/NAME		DRAWING NO
RULLAUSALUSTA		0327 S
KUIITTAUS		PVM.
		REV. A